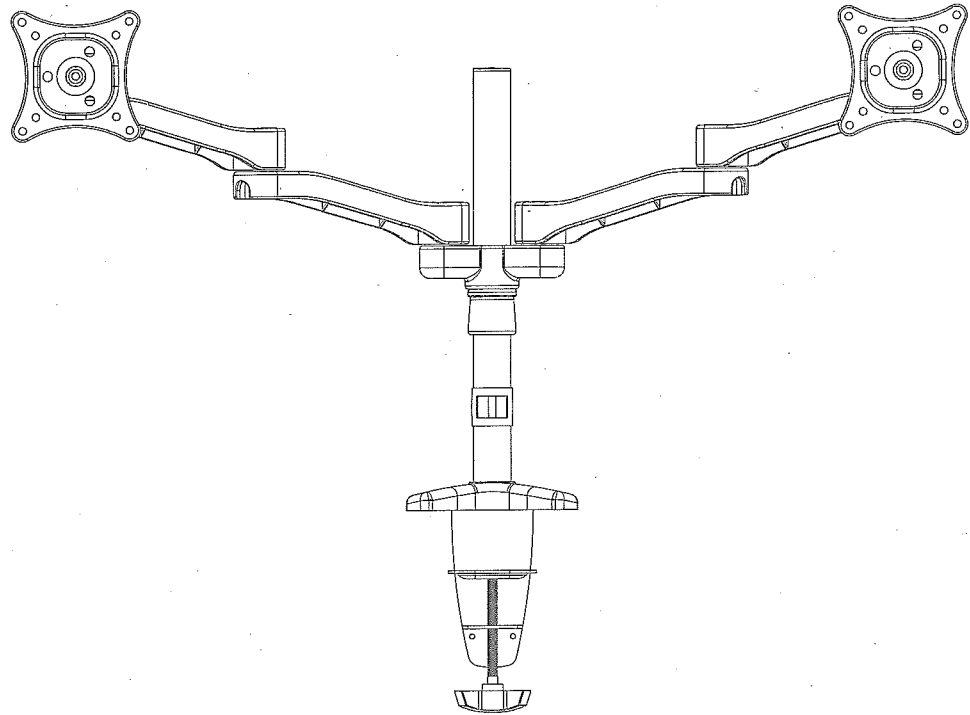


# Installation Instructions

Model:MD1002

Desktop Tilting TV Mount



Max Loading:15KG  
Screen Size:12" to 24"

## Installation manual

1. We have the final ownership and interpretation for this instruction.
2. Some detail in install maybe not in this instruction
3. Images may different from actual product

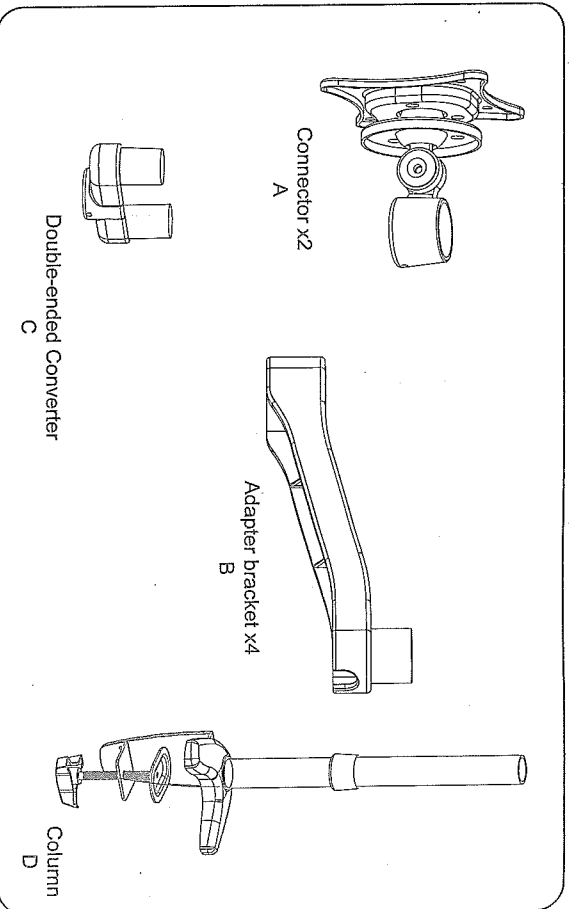
### Note:

1. Make sure that the supporting surface will safely support the combined load of the equipment and all attached hardware and components
2. Do not begin the installation of the product when you have read and understand the instructions and warnings contained in this Installation sheet, if you have any question regarding any of the instruction or warning, please contact us.
3. Keep away from children
4. Never exceed the max loading.

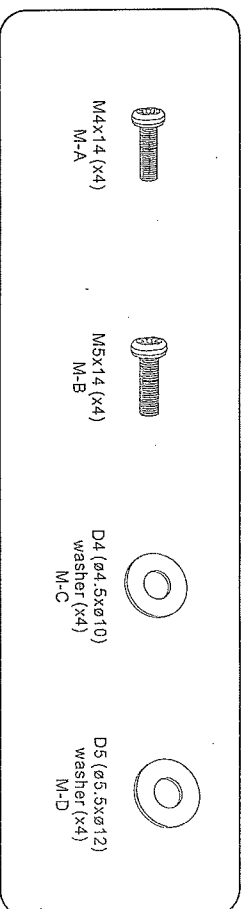
### Warranty period

Two years after products deliver

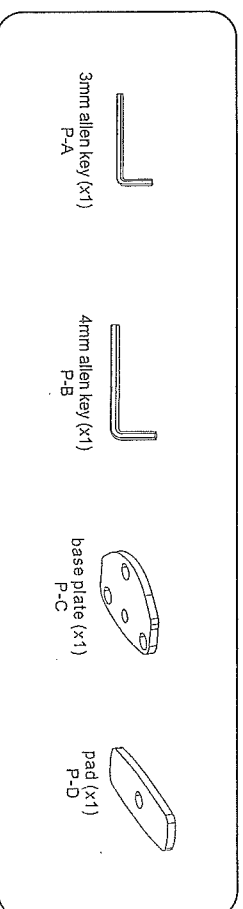
## Accessory



## Screw

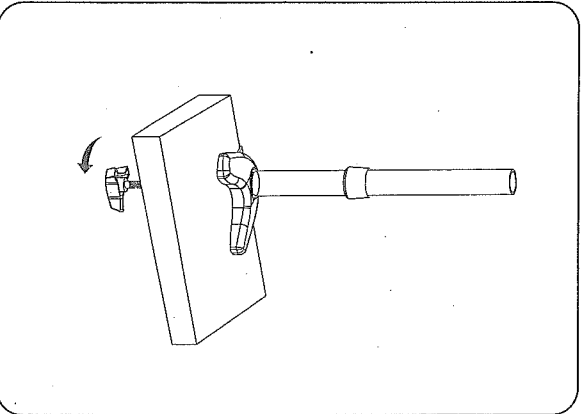
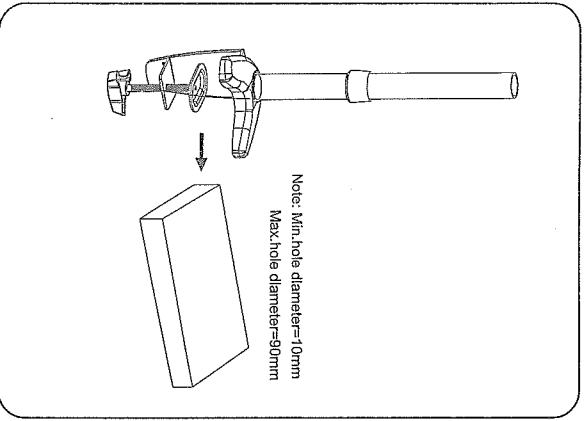
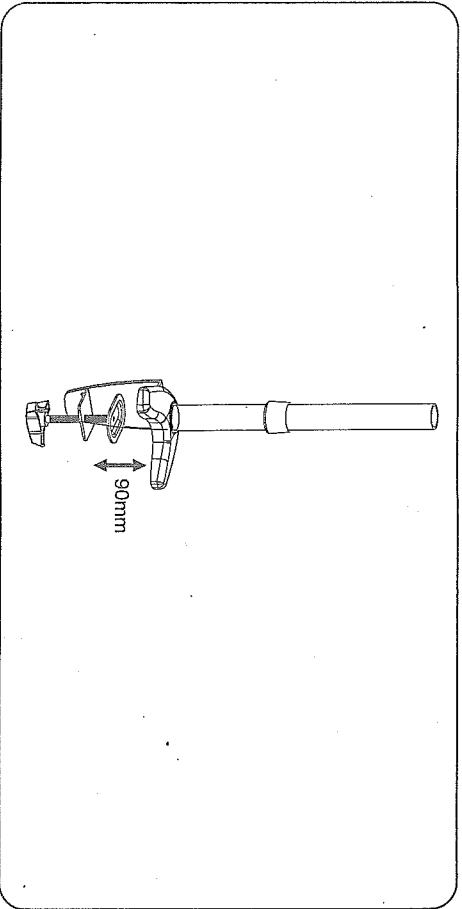


## Installation parts



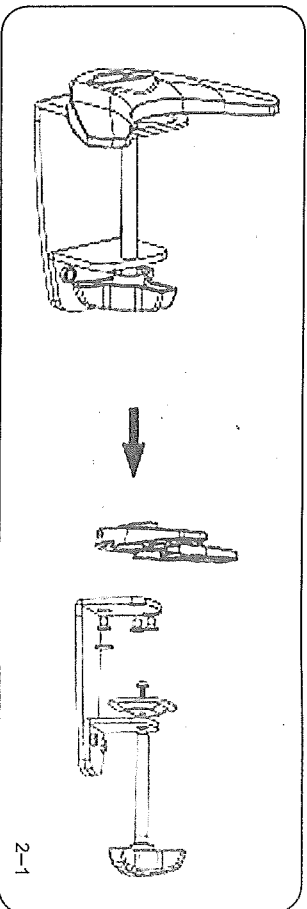
## Installing to Deak

1. make the size of tongs suitable for table's thickness.
2. Put tongs to the right position, make sure it's face to edge. revolve and fix the handle.

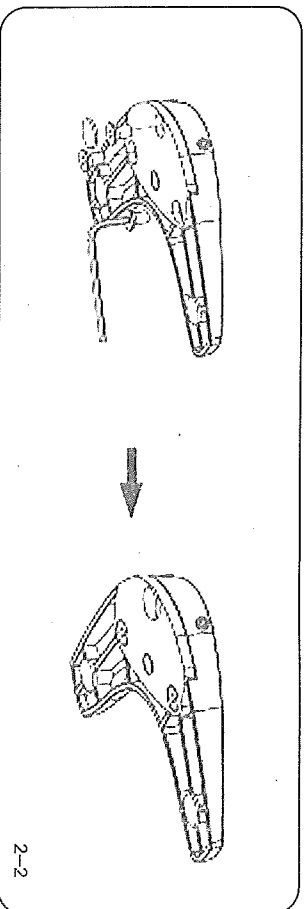


## Hole Installation

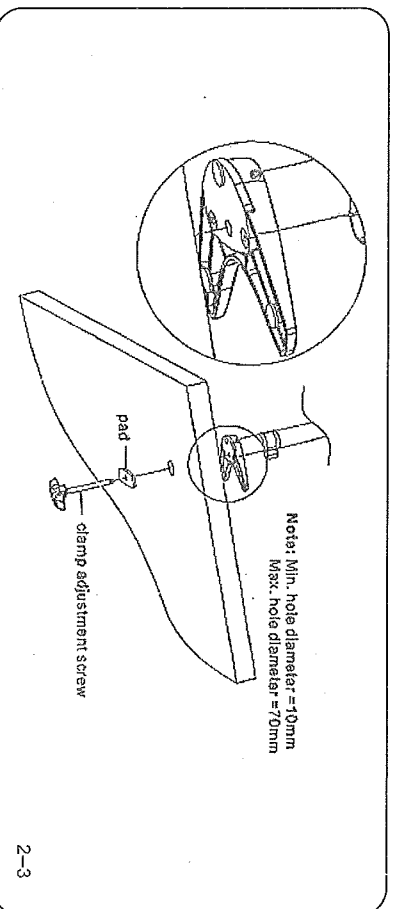
1. Disassemble the desk clamp assembly to replace components for hole installation. Retain three screws, rubber pad and clamp adjustment screw for later use as shown on 2-1



2. Re-install the base plate with three retained attach screws; tighten these screws with a 4mm allen key and paste the rubber pad on the one screw as shown on 2-2

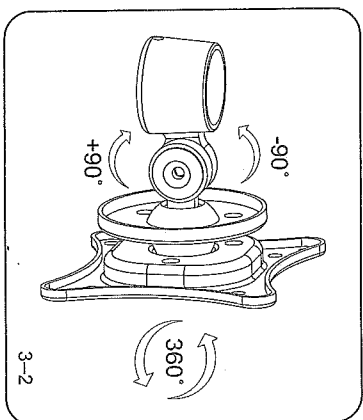
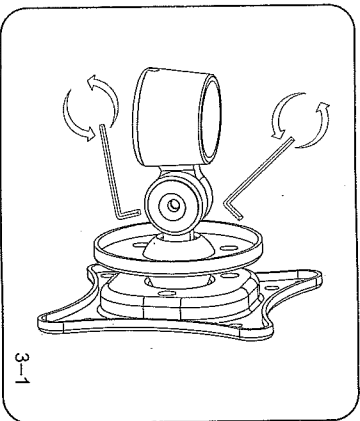


3. From below desk, insert retained clamp adjustment through pad and up through hole in desk. Thread screw by turning the knob into base plate but not tighten completely at this time. Center the desk mount assembly over hole, securely tighten screw as shown on 2-3

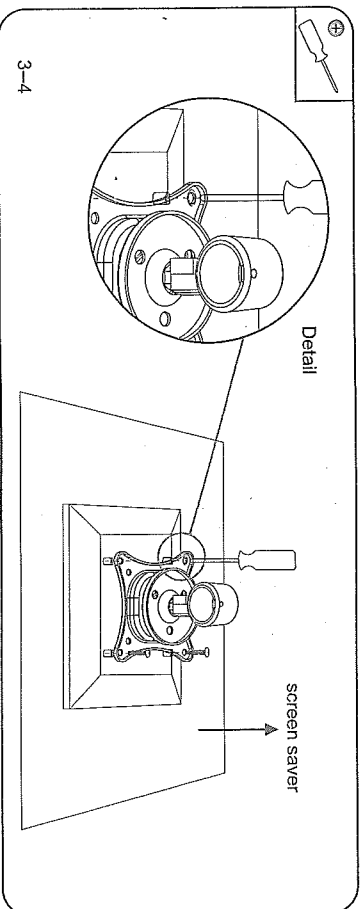
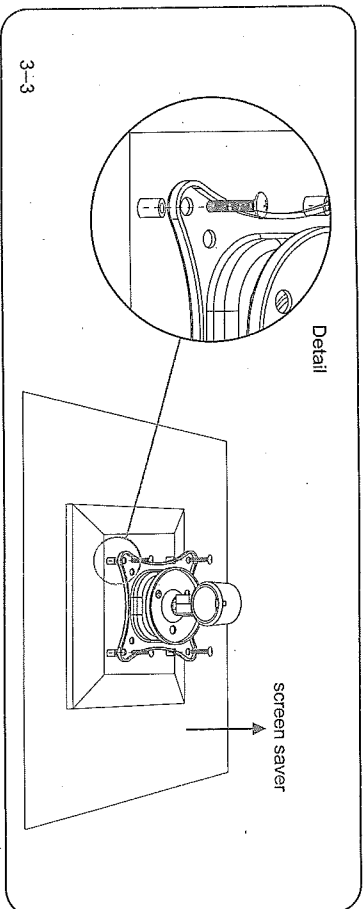


## Installing the display

1. Make sure the bracket is hard to tip when you pull the head with your hand; you can use spanner to adjust it as shown on 3-1

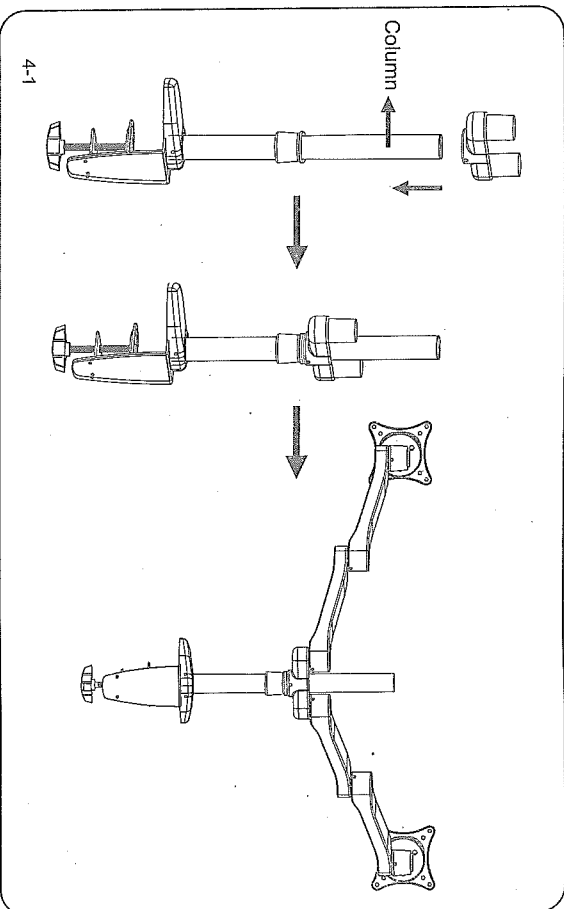


2. Put the display face down carefully, set out the hole deepness back of it, choose the right screw as shown on 3-3

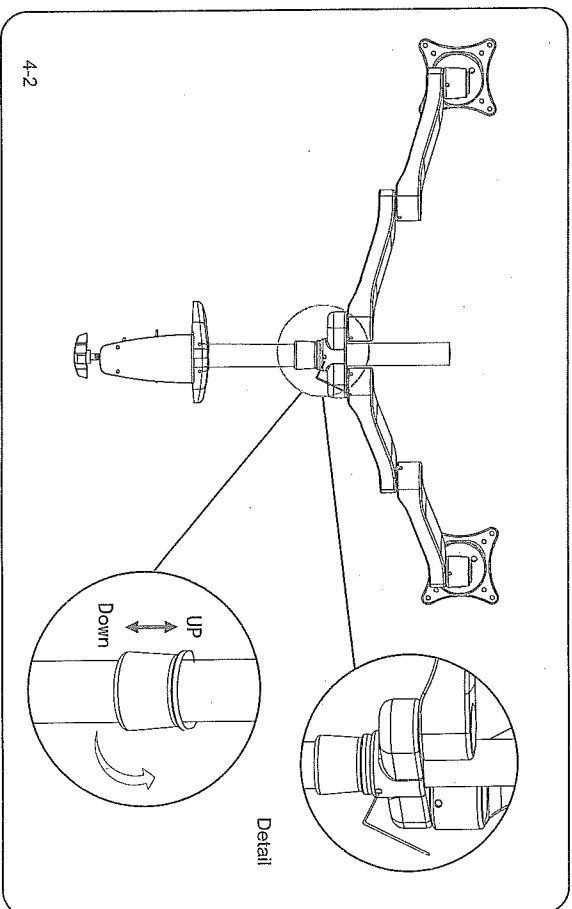


## Installing adapter bracket

1. Put the double-ended Converter onto Column; then put the adapter bracket on converter as shown on 4-1



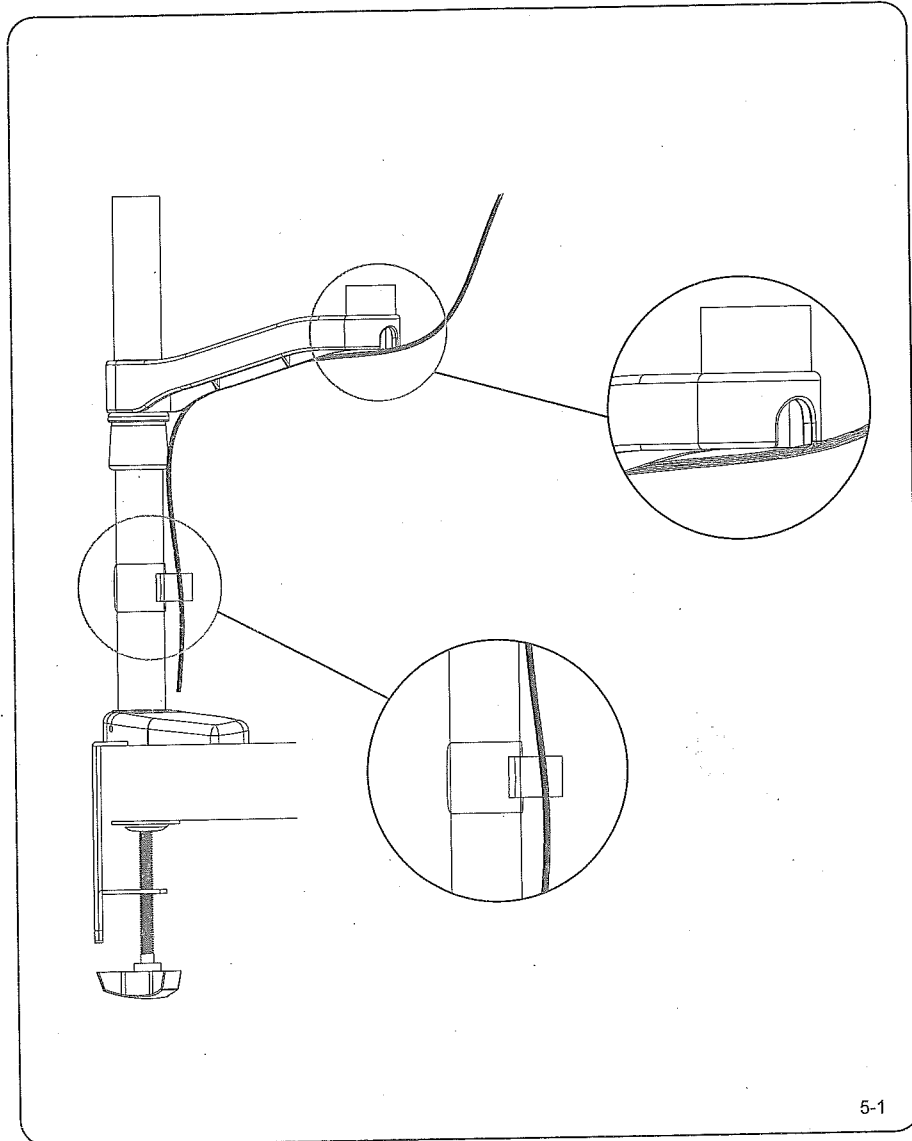
2. Lock the latch when the adapter bracket on the right position; fix it with spanner as shown on 4-2



## Cable management

Note: Make sure that the adapter bracket can extend enough, cable are long and flab enough to moved.

1. Tighten the screw till the display angle can be fixed, then push or pull from top or bottom of screen to adjust the display to the desired angle.
2. Route the cables through the cable clip.



5-1